

EX4SQ-LED 4" ARCHITECTURAL LED SQUARE DOWNLIGHT-REMOTE PHOSPHOR

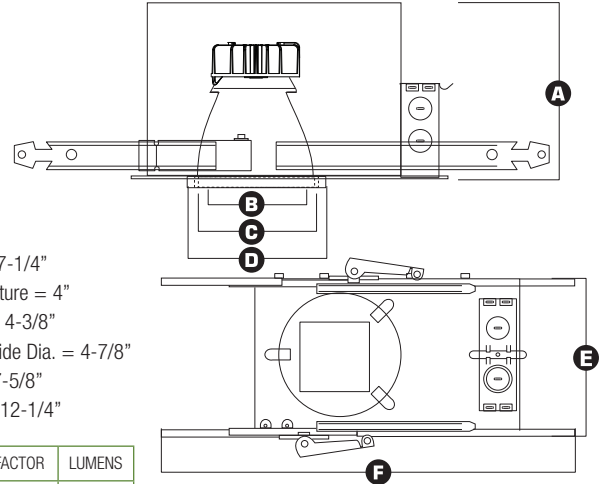


NEW

PHILIPS ADVANCE
Quality LED Drivers
Remote Phosphor Technology

1100 LUMENS

INPUT VOLT.	INPUT FREQ.	INPUT CUR.	INPUT POWER	THD	POWER FACTOR	LUMENS
120/277	50/60Hz	133mA/57mA	16W(+/-5%)	<20%	>0.9	1100
120/277	50/60Hz	116mA/50mA	14W(+/-5%)	<20%	>0.9	900



- A** Height = 7-1/4"
- B** Trim Aperture = 4"
- C** Cut-out = 4-3/8"
- D** Trim Outside Dia. = 4-7/8"
- E** Width = 7-5/8"
- F** Length = 12-1/4"

DESCRIPTION - 4" LED dedicated Architectural New Construction Downlight with integral LED heat management casting and driver (installed on junction box). Consuming less than 15 Watts and producing more than 900 usable lumens. Lighting is smooth and comfortable while using 30% less energy than the common 26W CFL downlight. Plus the eco-friendly Maxilume LED system features 70% lumen maintenance at 50,000 hours life, with Energy Star and California Title-24 (compliances pending).

LED
4"

FEATURES - Greater light output than a 26W CFL while consuming less than 15W of power. Maxilume LED luminaires are ideally suited for use in hospitality, health care, commercial, institutions, retail and other architectural applications.

OPTICS - MAXILUME LED Optilux technology combines unmatched performance with visual comfort. Reflector has been designed to gather the light scattered by the LED chip and shape it into functional beams that minimize brightness and glare, while eliminating lamp image. Utilizes the **Phillips Fortimo LED module which is equipped with special Fortimo phosphor technology enabling a breakthrough in LED efficacy.**

PERFORMANCE - Operating system consumes only 14 Watts of power and puts out more than 900 usable lumens. All MAXILUME LED luminaires are rated at 85+ CRI and tested by a certified laboratory. All LED luminaires are rated and tested to LM-79 and LM-80 standards by an independent laboratory.

THERMAL MANAGEMENT SYSTEM - Using a proprietary coolLED Advanced Thermodynamic Design, Die-cast aluminum housing and heat management system are engineered for extremely long life and service period. Heat sink is attached to top of housing. The LED light engine is attached to the die-cast heat sink and is easily replaceable and upgradable. Life tests have shown the Elite light engine output will be maintained at 70% of initial at 50,000 hours of operation.

LED DRIVER/ JUNCTION BOX - The LED driver is rated for 50 to 60Hz at 120V and 277V input and has a power factor between 90% and 100%. The Fortimo driver is installed on the junction box cover so it may be serviced from below the ceiling. UL Listed for through-branch circuit wiring, provided with four 1/2" knockouts, one 3/4" knockout and four Romex knockouts with true pryout slots and strain clamps. Designed for straight through conduit runs.



DIMMABLE - The MAXILUME LED lighting system is fully dimmable down to 10% initial light output by using a 0-10V dimmer. Please contact factory for additional information.

MOUNTING FRAME - Die-formed all die-cast construction for maximum heat dissipation and rust protection.

MOUNTING BRACKET - Constructed from 16 gauge steel and is supplied with C-channels that are adjustable up to 28". Mounting brackets maybe adjusted up to 2-3/4" vertically from inside the housing.

OUR WORD - The MAXILUME LED lighting system is warranted for 3 years. As a system, we stand behind the entire MAXILUME product from housing to bar hangers.

LISTING

c-UL-us / c-ETL-us - listed for Damp location.
c-UL-us / c-ETL-us - listed for feed Through Wiring.
LM79 / LM80

DIMMING INFORMATION

DIM10 (0-10V Dimming)

4 INCH ARCHITECTURAL LED SQUARE DOWNLIGHT

Example: EX4SQ-LED-14W-DIM10-120-30K-EX-4601-CL-WH

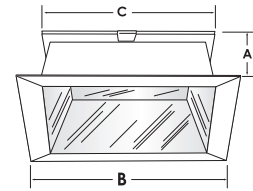
TYPE	900 LUMENS	1100 LUMENS	COLOR	EMERGENCY	OPTION	TRIM TYPE	REFLECTOR/ RING FINISH
EX4SQ-LED	<input type="checkbox"/> 14W-DIM10-120 <input type="checkbox"/> 14W-DIM10-277	<input type="checkbox"/> 16W-DIM10-120 <input type="checkbox"/> 16W-DIM10-277	<input type="checkbox"/> 30K <input type="checkbox"/> 35K <input type="checkbox"/> 40K	<input type="checkbox"/> EMG-LED (Must have ceiling access for maintenance)	<input type="checkbox"/> BP31 (C-Channel Bar Hanger)	<input type="checkbox"/> EX-4601 <input type="checkbox"/> EX-4614 <input type="checkbox"/> EX-4607 <input type="checkbox"/> EX-4615	<input type="checkbox"/> CL-WH <input type="checkbox"/> W-WH <input type="checkbox"/> CL-SCH <input type="checkbox"/> MB-WH <input type="checkbox"/> SHZ-SHZ <input type="checkbox"/> WT-WH <input type="checkbox"/> SHZ-WH

EX-4601-CL - REFLECTOR



REFLECTOR/ RING FINISH:

- CL-WH CL-SCH
- SHZ-WH WT-WH
- W-WH SHZ-SHZ
- MB-WH



- A** = 3-1/8"
- B** = 5-3/4"
- C** = 4-5/8"

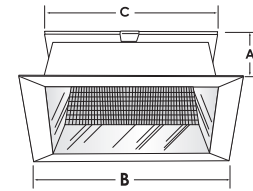


EX-4607-CL - WALL WASH REFLECTOR WITH LENS



REFLECTOR/ RING FINISH:

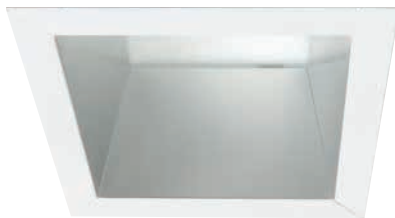
- CL-WH CL-SCH
- SHZ-WH WT-WH
- W-WH SHZ-SHZ
- MB-WH



- A** = 3-1/8"
- B** = 5-3/4"
- C** = 4-5/8"

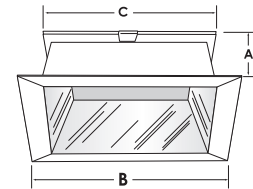


EX-4614-CL - REFLECTOR WITH FROSTED GLASS LENS



REFLECTOR/ RING FINISH:

- CL-WH CL-SCH
- SHZ-WH WT-WH
- W-WH SHZ-SHZ
- MB-WH



- A** = 3-1/8"
- B** = 5-3/4"
- C** = 4-5/8"

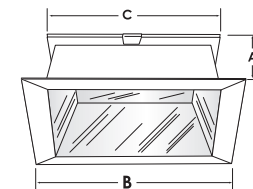


EX-4615-CL - REFLECTOR WITH TEMPERED GLASS LENS



REFLECTOR/ RING FINISH:

- CL-WH CL-SCH
- SHZ-WH WT-WH
- W-WH SHZ-SHZ
- MB-WH



- A** = 3-1/8"
- B** = 5-3/4"
- C** = 4-5/8"

