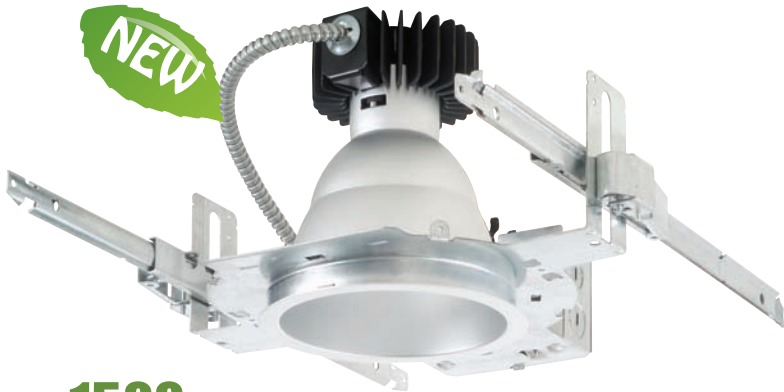
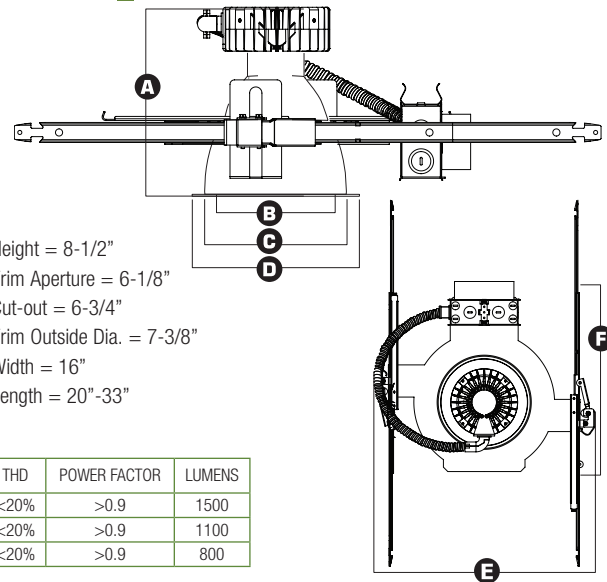


# HV6-LED 6" ARCHITECTURAL LED DOWNLIGHT



**1500 LUMENS**



INPUT VOLT.	INPUT FREQ.	INPUT CUR.	INPUT POWER	THD	POWER FACTOR	LUMENS
120/277	50/60Hz	283mA/123mA	34W(+/-5%)	<20%	>0.9	1500
120/277	50/60Hz	175mA/76mA	21W(+/-5%)	<20%	>0.9	1100
120/277	50/60Hz	133mA/57mA	16W(+/-5%)	<20%	>0.9	800

**DESCRIPTION** - 6" LED dedicated Architectural New Construction Downlight with integral LED heat management casting and driver (installed on junction box). Available in 800 lumens (16W), 1100 lumens (21W) & 1500 lumens (34W). Lighting is smooth and comfortable while using 25% less energy than the common 26W & 32W CFL downlight. Plus the eco-friendly Maxilume LED system features 70% lumen maintenance at 50,000 hours life, with Energy Star and California Title-24 (compliances pending).

LED  
6"

**FEATURES** - Greater light output than a 26W & 32W CFL while consuming less than 16W to 34W of power. Maxilume LED luminaires are ideally suited for use in hospitality, health care, commercial, institutions, retail and other architectural applications.



**OPTICS** - MAXILUME LED Optilux technology combines unmatched performance with visual comfort. Spun 0.05" thick reflector has been designed to gather the light scattered by the LED chip and shape it into functional beams that minimize brightness and glare, while eliminating lamp image. Proprietary dual level upper and lower reflector design allows for optimum glare control. Elite engineered superior quality, light engine; producing 800 lumens (16W), 1100 lumens (21W) & 1500 lumens (34W).

**LED DRIVER/JUNCTION BOX** - The LED driver is rated for 50 to 60Hz at 120V /277V input, produces less than 20%THD, and has a power factor between 90% and 100% and is thermally protected for additional safety. MAXILUME's LED driver is installed on the junction box cover so it may be serviced from below the ceiling. UL Listed for through-branch circuit wiring, provided with four 1/2" knockouts, one 3/4" knockout and four Romex knockouts with true pryout slots and strain clamps. Designed for straight through conduit runs.

**PERFORMANCE** - Operating system delivers 800 lumens (16W), 1100 lumens (21W) & 1500 lumens (34W) with a 4100K color temperature. All MAXILUME LED luminaires are rated at 85+ CRI. All LED luminaires are rated and tested to LM-79 and LM-80 standards by an independent laboratory.

**MOUNTING BRACKET** - Constructed from 16 gauge steel and is supplied with C-channels that are adjustable up to 28". Mounting brackets maybe adjusted up to 2-3/4" vertically from inside the housing.

**THERMAL MANAGEMENT SYSTEM** - Using a proprietary coolLED Advanced Thermodynamic Design, Die-cast aluminum housing and heat management system are engineered for extremely long life and service period. Heat sink is attached to top of housing. The LED light engine is attached to the die-cast heat sink and is easily replaceable and upgradable. Life tests have shown the MAXILUME light engine output will be maintained at 70% of initial at 50,000 hours of operation.

**OUR WORD** - The MAXILUME LED lighting system is warranted for 5 years. As a system, we stand behind the entire MAXILUME products from housing to bar hangers.

**LISTING**

c-UL-us / c-ETL-us - listed for Damp location.  
 c-UL-us / c-ETL-us - listed for feed Through Wiring.  
 LM79 / LM80

**DIMMING INFORMATION**

DIMTR (Triac & Electronic Low Voltage Dimming)  
 DIM10 (0-10V Dimming)  
 LUTH (Lutron® Hi-lume® Dimming)

**DIMMABLE** - The MAXILUME LED system is fully dimmable down to 10% of initial light output with a 0-10 Volt dimmer when ordered with the following options (DIM10-120, DIM10-277). Fixtures can be shipped with a Lutron Hi-lume A series Driver which can be dimmed with Lutron Dimming Systems when ordered with the following options (LUTH-120, LUTH-277). Triac & Electronic Low Voltage dimming driver also available when ordered with the following options (DIMTR-120). Consult Factory for details.

**MOUNTING FRAME** - Die-formed construction for maximum heat dissipation and rust protection.

6 INCH ARCHITECTURAL LED DOWNLIGHT

Example: HV6-LED-21W-DIM10-120-FL-30K-LED-6101-CL-WH

TYPE	800 LUMENS	1100 LUMENS	1500 LUMENS	OPTICS	COLOR	EMERGENCY	TRIM TYPE	REFLECTOR/ RING FINISH	DISC	
HV6-LED	<input type="checkbox"/> 16W-DIMTR-120 <input type="checkbox"/> 16W-LUTH-120 <input type="checkbox"/> 16W-LUTH-277 <input type="checkbox"/> 16W-DIM10-120 <input type="checkbox"/> 16W-DIM10-277	<input type="checkbox"/> 21W-LUTH-120 <input type="checkbox"/> 21W-LUTH-277 <input type="checkbox"/> 21W-DIM10-120 <input type="checkbox"/> 21W-DIM10-277	<input type="checkbox"/> 34W-LUTH-120 <input type="checkbox"/> 34W-LUTH-277 <input type="checkbox"/> 34W-DIM10-120 <input type="checkbox"/> 34W-DIM10-277	<input type="checkbox"/> FL	<input type="checkbox"/> 30K <input type="checkbox"/> 35K <input type="checkbox"/> 41K	<input type="checkbox"/> EMG-LED	<input type="checkbox"/> LED-6101 <input type="checkbox"/> LED-6102 <input type="checkbox"/> LED-6107 <input type="checkbox"/> LED-6109 <input type="checkbox"/> LED-6110 <input type="checkbox"/> LED-6128 <input type="checkbox"/> LED-6123	<input type="checkbox"/> LED-6112 <input type="checkbox"/> LED-6113 <input type="checkbox"/> LED-6114 <input type="checkbox"/> LED-6115 <input type="checkbox"/> LED-6121 <input type="checkbox"/> LED-6122 <input type="checkbox"/> LED-6125	<input type="checkbox"/> CL-WH <input type="checkbox"/> CL-SCH <input type="checkbox"/> SHZ-SHZ <input type="checkbox"/> SHZ-WH <input type="checkbox"/> W-WH <input type="checkbox"/> MB-WH <input type="checkbox"/> WT-WH	<input type="checkbox"/> BLUE <input type="checkbox"/> RED <input type="checkbox"/> GREEN <input type="checkbox"/> FROST <input type="checkbox"/> AL <input type="checkbox"/> BZ <input type="checkbox"/> WH